

TRIAC Centrifuge 420200

<u>#</u>	<u>DESCRIPTION</u>	<u>CATALOG NUMBER</u>	<u>REFERENCE NUMBER</u>
N/A	Operator's manual	421266	42020005
1	Motor brush kit	421263	42020002
3	Head cover (w/knob)	421280	42020021
4	*Rubber feet (4pk)	421285	42021004
6	Motor gasket	421264	42020003
7	MHCT tube gasket	421278	42020017
8	Head fastening nut	421272	42020011
8A	Head washer	421279	42020018
9	*Motor, 115V,60 hz	421282	42021001
10	Timer, 115V	421265	42020004
11	Mode selector switch	421270	42020009
12	Lid assembly	421268	42020007
13	Wrench, spanner	421275	42020014
15	Head cover, lower, rubber	421273	42020012
16	*Safety switch	421283	42021002
17	Trunnion cushion (8 pk)	421276	42020015
21	Sensor & connector assembly	421284	42021003
22	Transformer, 115V	421286	42021005
N/A	Trunnion (4 pk)	420201	
N/A	Head assembly	420202	
N/A	2 ml adapter (4 pk)	420203	
N/A	3 ml adapter (4 pk)	420204	
 <u>Discontinued parts</u>		<i>Discontinued 08/02 or before</i>	
N/A	Triac (220V)	420206	
5	Gasket, centrifuge cover	421269	42020008
14	PC board assembly (115V) (<145000)	421287	42020016
16	Safety switch (<145000)	421267	42020006
19	Timer (220V)	not orderable	
20	PC board assembly (220V)	not orderable	

*Parts marked with an "***" are applicable to Serial #s higher than 145000

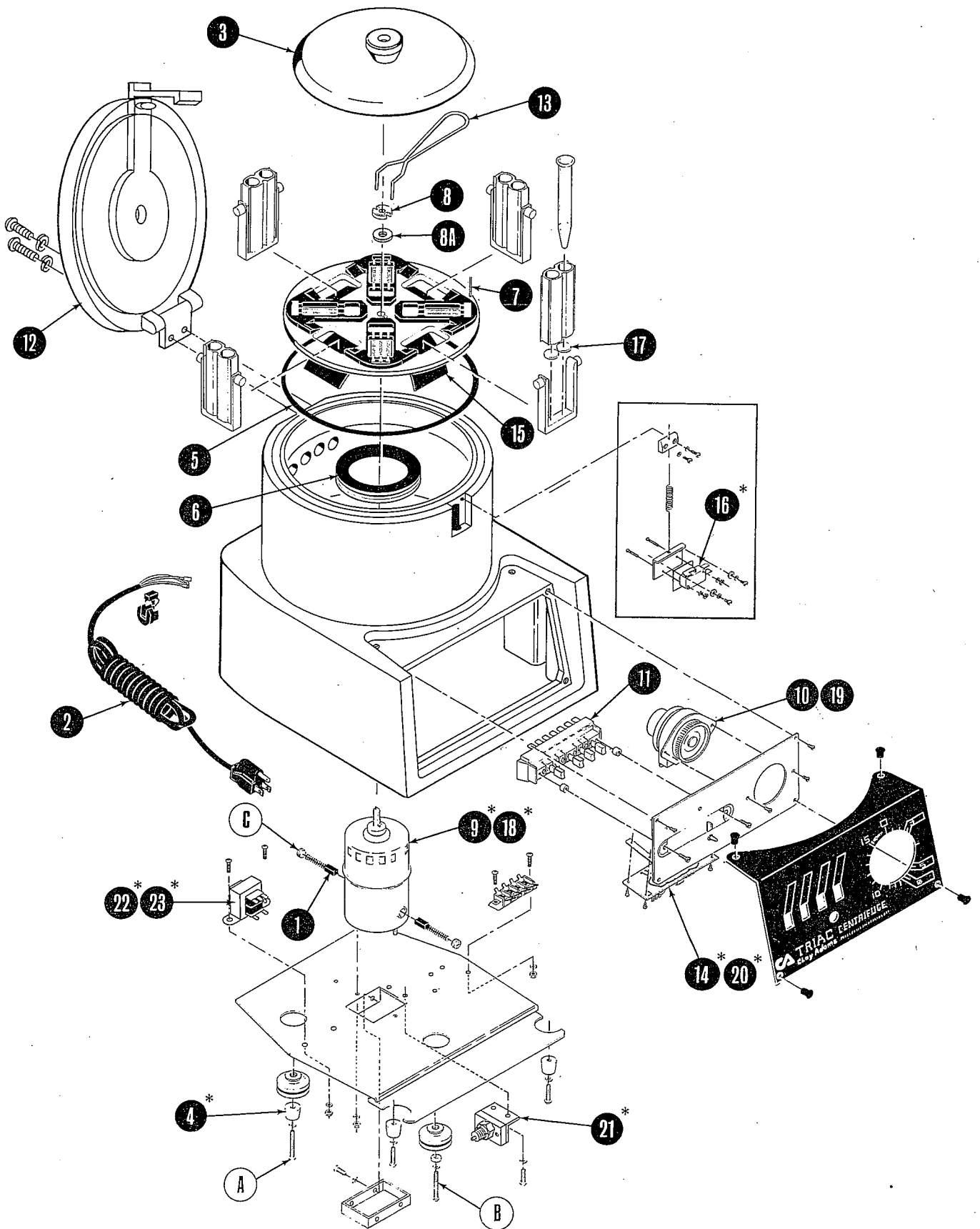


Figure 12. TRIAC Centrifuge Illustrated Spare Parts Breakdown.